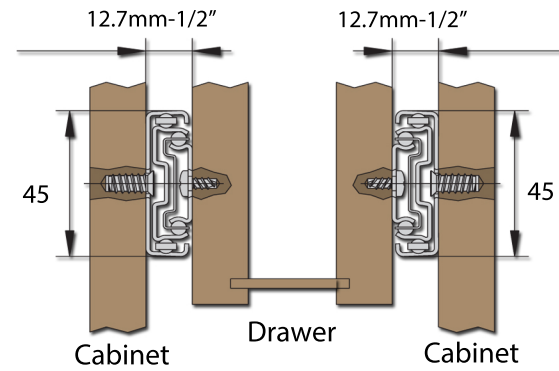


Ball Bearing Drawer Slides

45mm Full extension (Order Info)



- Smooth opening and closing action with precision ball bearings
- 100 lb loading capacity
- Quick and easy assembly and dismantling with lever
- Controlled targeted grease applied to ball
- Zinc Plated (other finishes avail-



Order Information



Drawer Slides (right & left)

Length	Part No	Box/Pallet
10"/254mm	BB250F45RI	10 / 1,000
12"/305mm	BB300F45RI	10 / 1,000
14"/356mm	BB350F45RI	10 / 1,000
16"/406mm	BB400F45RI	10 / 670
18"/457mm	BB450F45RI	10 / 670
20"/508mm	BB500F45RI	10 / 630
22"/559mm	BB550F45RI	10 / 580
24"/610mm	BB600F45RI	10 / 480
26"/660mm	BB650F45RI	10 / 480
28"/711mm	BB700F45RI	10 / 480

Main Components



Part No G031C/R / 10,560

Part No	G031C/R	/ 10,560
---------	---------	----------

Ball Bearing Drawer Slides

45mm Full extension (Technical Info)



X-Treme 100 Installation Dimensions (mm)

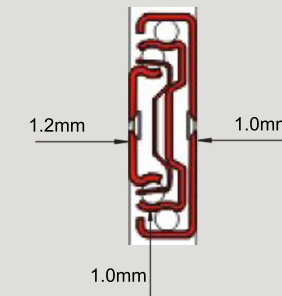
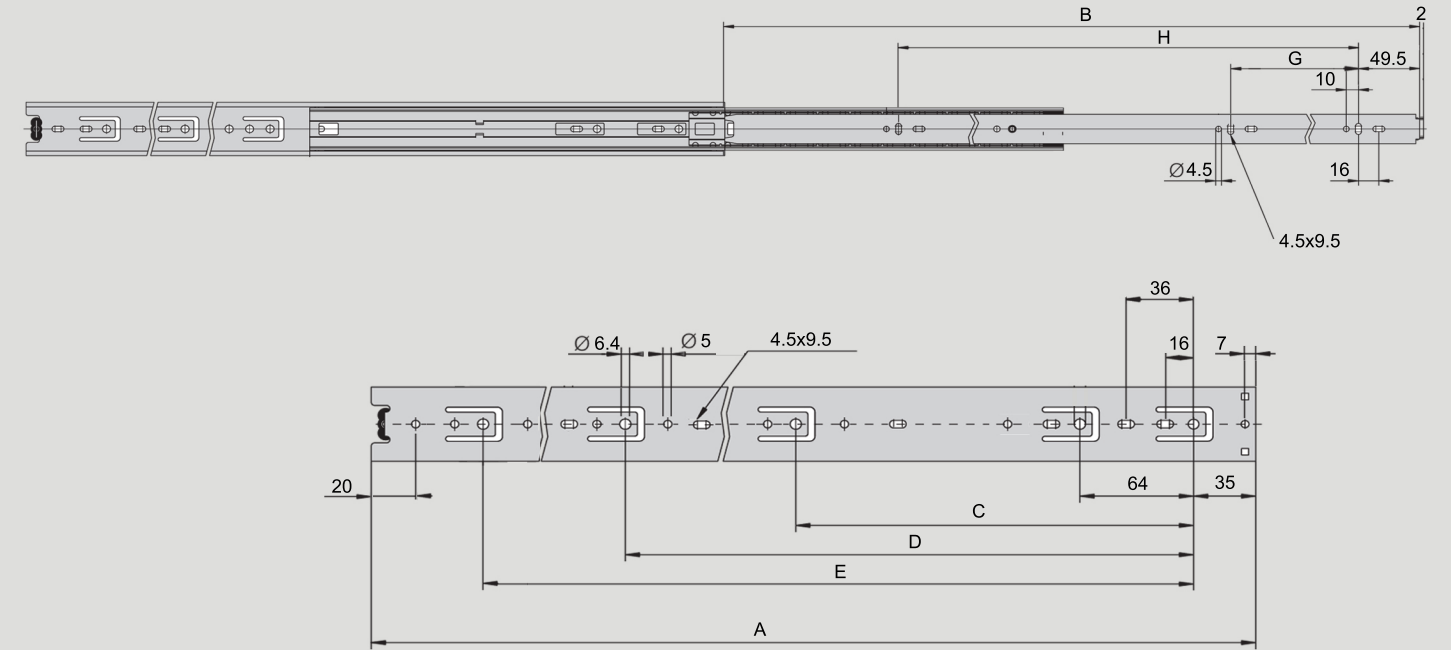


Chart of hole locations/sizes measurements (in millimeters)

Part NO.	A	B	C	D	E	G	H
BB200F45RI	8"/203mm	206	128				128
BB250F45RI	10"/254mm	257	160				160
BB300F45RI	12"/305mm	308	224			96	224
BB350F45RI	14"/356mm	359	224			128	256
BB400F45RI	16"/406mm	409	224	320		128	288
BB450F45RI	18"/457mm	460	224	352		160	352
BB500F45RI	20"/508mm	511	224	352		192	384
BB550F45RI	22"/559mm	562	224	352	448	224	448
BB600F45RI	24"/610mm	613	224	352	448	224	480
BB650F45RI	26"/660mm	663	224	352	512	256	544
BB700F45RI	28"/711mm	714	224	384	544	288	576